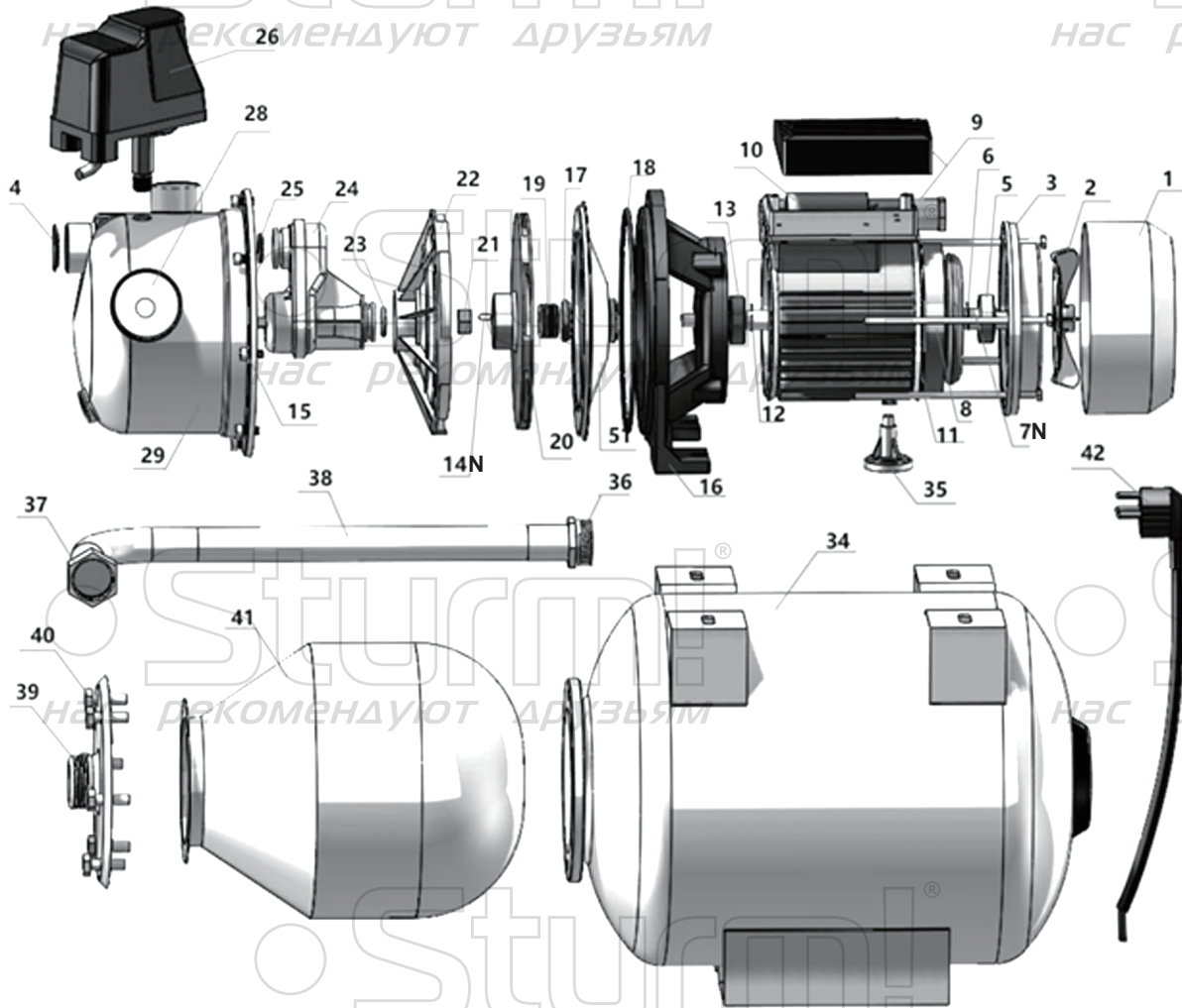


WP97120ST



NO.	DESCRIPTION
1	FAN COVER
2	FAN
3	MOTOR END COVER
4	OUTLET PROTECTOR PLASTIC COVER
5	BACK BEARING
6	CIRCLIP
7N	SHAFT AND ROTOR ASSEMBLY
8	STATOR WITH COIL ASSEMBLY
9	TERMINAL BOX
10	CAPACITOR
11	MOTOR TIE-ROD
12	CIRCLIP
13	FRONT BEARING
14N	IMPELLER PIN
15	FIXING BOLT FOR PUMP BODY
16	MOTOR FRONT COVER
17	MECHANICAL SEAL STATIONARY RING
18	O RING
19	MECHANICAL SEAL ROTARY RING
20	IMPELLER
21	IMPELLER STOP NUT
22	DIFFUSER
23	O RING FOR VENTURI
24	VENTURI
25	UPPER O RING FOR VENTURI
26	PRESSURE SWITCH
28	PRESSURE GAUGE
29	PUMP BODY S.S.
34	AIR PRESSURE TANK
35	FOOT BRACKET
36	OUTLET SOFT CONNECTION
37	AIR PRESSURE TANK CONNECTION
38	CONNECTION TUBE BETWEEN AIR PRESSURE TANK AND PUMP
39	MEMBRANE FASTENING
40	AIR TANK FASTENING BOLT
41	MEMBRANE
42	POWER CABLE & PLUG
51	S.S. CONNECTION BAFFLE

WP97120ST-EX-RU250814